

**NATURAL STONE TILING  
WITHOUT WATER STAINING...**



**...NO SWEAT**



**WITH ARDEX NATURAL STONE SYSTEMS**



**Natural stone is becoming increasingly popular, this presents new challenges to ensure a perfect finish and avoid unsightly staining, which is frequently caused when moisture from traditional tile adhesives and grouts gets into the stone dissolving existing materials, such as iron oxides or organic deposits which can discolour the face and/or edges of natural stone tiles.**

**ARDEX Natural Stone products featuring 'RAPIDRY FORMULA' technology have been developed to provide practical solutions to this problem. The mix water is literally 'locked' within the mortar virtually eliminating the risk of water staining. Another key feature is rapid, controlled drying and hardening, allowing natural stones to be walked on and grouted in the shortest possible time.**

**ARDEX Natural Stone products provide solutions when:**

- **Fixing natural stones that are prone to water staining**
- **Fixing natural stones that need to be walked on or grouted in only two hours**
- **Grouting natural stones that are prone to water staining**
- **There is a need for a Total System Solution, including floor screeds, levelling compounds, adhesives and grouts**



Moisture sensitive natural stones grouted with a traditional cement-based grout, resulting in unsightly water staining at the tile edges.



Moisture sensitive natural stones grouted with ARDEX MG rapid drying marble and natural stone grout. ARDEX 'Rapidry Formula' technology locks the mix water into the grout, eliminating water staining at the tile edges.



## NEW PRODUCTS FEATURING 'RAPIDRY FORMULA' TECHNOLOGY NOW AVAILABLE

<b>ARDEX S 20/S 20 W</b> <b>GREY or WHITE</b>	<b>Rapid drying and hardening natural stone adhesive for bed thickness between 5mm and 20mm. Can be trafficked and grouted 3 hours after fixing.</b>
<b>ARDEX-FLEX 7001 W</b> <b>TIMBER SYSTEM</b> <b>WHITE</b>	<b>Adhesive for fixing translucent marble etc., to timber floors. Natural stones can be grouted and trafficked 2 hours after fixing.</b>
<b>ARDEX MG</b>	<b>Rapid drying marble and natural stone grout. Ideal for grouting natural stones, virtually eliminates the risk of water staining to the tile edges. Walkable after only 90 minutes.</b>



Flexible Grey Rapid Hardening and  
Rapid Drying Natural Stone Tile Adhesive

# ARDEX S 20

GREY • GREY • GREY • GREY • GREY

**Ideal for natural stones**  
- reduced risk of water staining  
**Can be trafficked and grouted**  
3 hours after fixing

For internal, dry or intermittently damp locations

For use on walls and floors

Adhesive bed thickness between  
5mm and 20mm

Suitable for use on heated sub-floors

MANUFACTURED UNDER A QUALITY SYSTEM APPROVED BY THE B.S.I.

**22kg**



ARDEX UK Limited  
Worthing Road, Bawdley  
Sudbury, CO9 8EP, England  
Tel: +44 (0)1440 735555  
Fax: +44 (0)1440 735555  
www.ardex.co.uk



White Flexible Rapid Hardening and Drying  
Floor Tile Adhesive for Timber Floors

# ARDEX-FLEX 7001 W

WHITE • WHITE • WHITE • WHITE • WHITE

**Ideal for fixing floor tiles to wood-based sheets and boards**

Rapidry formula technology chemically binds all the mix water  
reducing the risk of mix water affecting wooden substrates

**Rapid hardening and drying - can be trafficked and  
grouted 2 hours after fixing**

Use with all tile types including fully vitrified and porcelain

**Ideal for light and translucent marbles and limestones**  
reduced risk of water staining

MANUFACTURED UNDER A QUALITY SYSTEM APPROVED BY THE B.S.I.

**22kg**



ARDEX UK Limited  
Worthing Road, Bawdley  
Sudbury, CO9 8EP, England  
Tel: +44 (0)1440 735555  
Fax: +44 (0)1440 735555  
www.ardex.co.uk



Rapid Drying Marble and Natural Stone Grout

# ARDEX MG

WHITE • WHITE • WHITE • WHITE • WHITE

**Rapidry Formula technology virtually eliminates the  
risk of water staining of the tile edges**

Walkable after 1½ hours

Available in a range of colours

For tile joints up to 8mm

Easy to apply and clean off

For use on floors and walls

MANUFACTURED UNDER A QUALITY SYSTEM APPROVED BY THE B.S.I.

**11kg**



ARDEX UK Limited  
Worthing Road, Bawdley  
Sudbury, CO9 8EP, England  
Tel: +44 (0)1440 735555  
Fax: +44 (0)1440 735555  
www.ardex.co.uk



**Existing ARDEX Natural Stone Systems with ‘Rapidry Formula’ technology for the complete solution:**

<b>FLOOR PREPARATION</b>	
<b>ARDEX K 15-B</b>	Pump or hand applied levelling mortar which can be tiled on in 3-4 hours.
<b>ARDEX A 35</b>	Rapid hardening and drying cement for floor screeds, which can be tiled on 24 hours after application.
<b>ARDEX A 35 MIX</b>	Unique rapid drying pre-blended screeding and screed repair mortar which can be tiled on 24 hours after application.
<b>ADHESIVES</b>	
<b>ARDEX S16</b>	Grey rapid hardening and drying wall and floor natural stone adhesive for internal use in dry or intermittently damp locations. Can be trafficked and grouted 2-3 hours after fixing.
<b>ARDEX S16W</b>	White rapid hardening and drying wall and floor natural stone adhesive for internal use in dry or intermittently damp locations. Ideal for fixing translucent marble, glass mosaics and light coloured natural stones. Can be trafficked and grouted 2-3 hours after fixing.
<b>ARDEX-FLEX 7001 TIMBER SYSTEM</b>	Grey rapid hardening and drying, flexible tile adhesive for fixing natural stones to wood-based sheets and boards. Natural stones can be grouted and trafficked 2 hours after fixing.



# ARDEX NATURAL STONE SYSTEMS

## RAPID TILING SYSTEM FOR NATURAL STONES ON TIMBER FLOORS

### ARDEX-FLEX FL

Rapid setting flexible grout

### Natural stone floor tiles

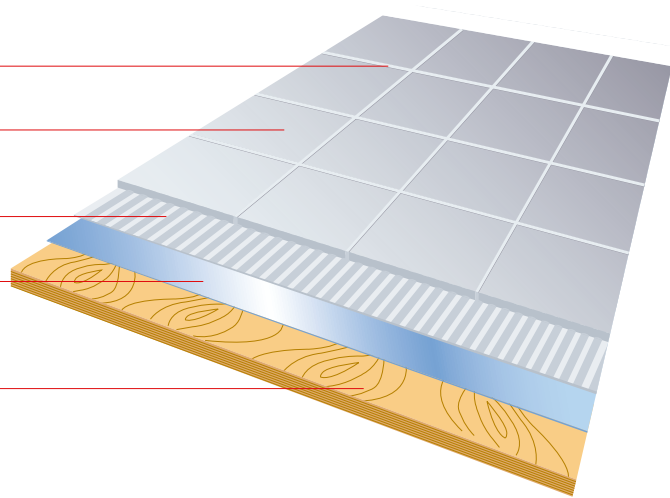


### ARDEX-FLEX 7001 Timber System

Grey flexible rapid drying tile adhesive

### ARDEX P 51 Primer

Minimum 18mm conditioned flooring grade plywood (rigidly fixed)



## RAPID FLOOR TILING SYSTEM FOR TRANSLUCENT MARBLE TILES



### ARDEX MG

Rapid drying marble and natural stone grout

### Translucent marble floor tiles



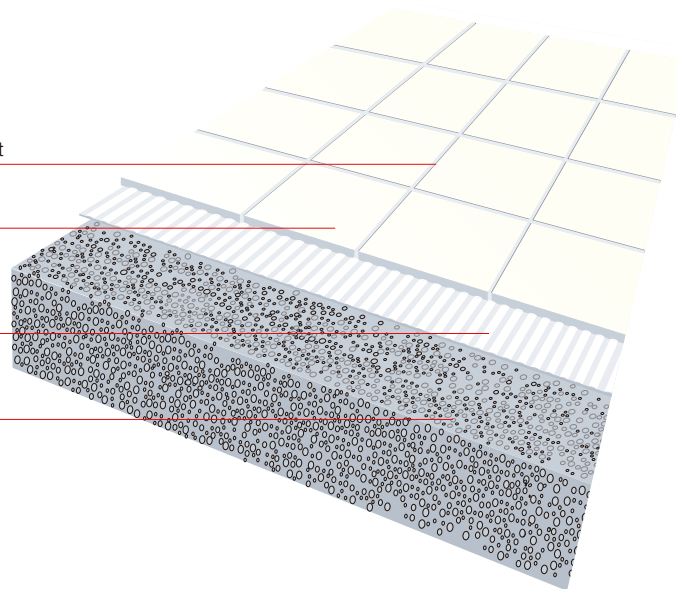
### ARDEX S 16 W

White rapid hardening and drying natural stone adhesive



### ARDEX A 35

Rapid hardening and drying floor screed



## RAPID FLOOR TILING SYSTEM FOR NATURAL STONES



### ARDEX MG

Rapid drying marble and natural stone grout

### Natural stone floor tiles



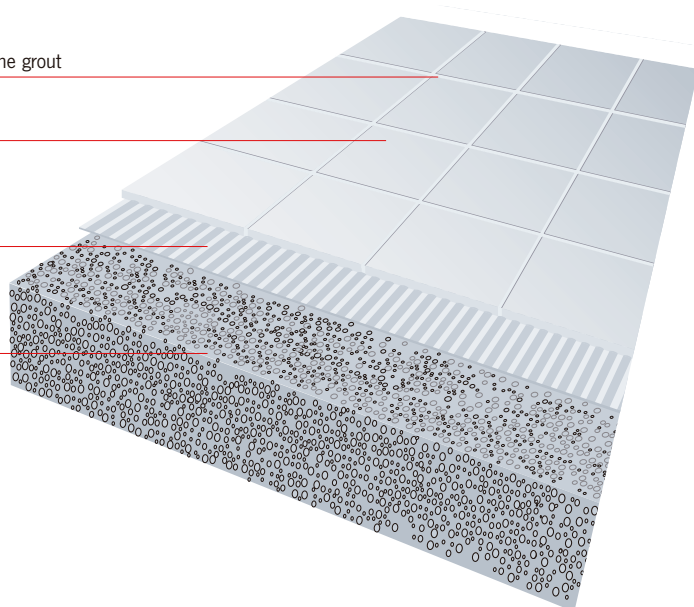
### ARDEX S 16

Grey rapid hardening and drying natural stone adhesive



### ARDEX A 35

Rapid hardening and drying floor screed



## RAPID WALL TILING SYSTEM FOR MOISTURE SENSITIVE NATURAL STONES



**ARDEX MG**  
Rapid drying marble and natural stone grout

**Moisture sensitive Limestone tiles**

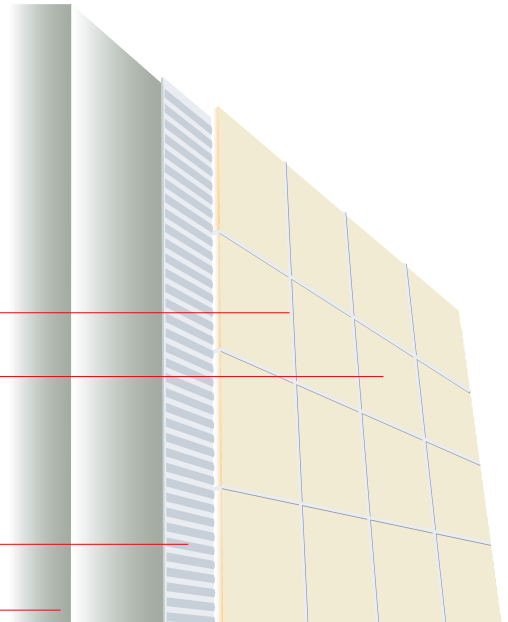


**ARDEX S 16**  
Grey rapid hardening and drying natural stone adhesive

or

**ARDEX S 20**  
Grey flexible rapid hardening and drying natural stone adhesive

**Cement/sand render on blockwork**



## RAPID WALL TILING SYSTEM FOR TRANSLUCENT MARBLE



**ARDEX MG**  
Rapid drying marble and natural stone grout

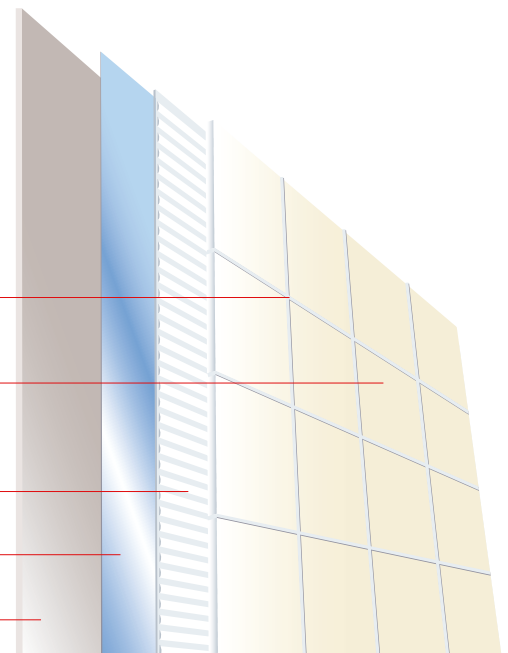
**Translucent marble**  
max. thickness 7mm, max. weight 20kg/m<sup>2</sup>



**ARDEX S 16 W**  
White rapid hardening and drying natural stone adhesive

**ARDEX P 51 Primer**

**Gypsum plaster**



### ARDEX UK LIMITED

Homefield Road Haverhill  
Suffolk CB9 8QP  
England

Telephone: +44 (0)1440 714939  
Fax: +44 (0)1440 716660

Technical Services Fax:  
+44 (0)1440 716640

Email: [info@ardex.co.uk](mailto:info@ardex.co.uk)  
ARDEX online: [www.ardex.co.uk](http://www.ardex.co.uk)

## RAPID FLOOR BEDDING SYSTEM FOR UNCALIBRATED NATURAL STONES



**ARDEX MG**  
Rapid drying marble and natural stone grout

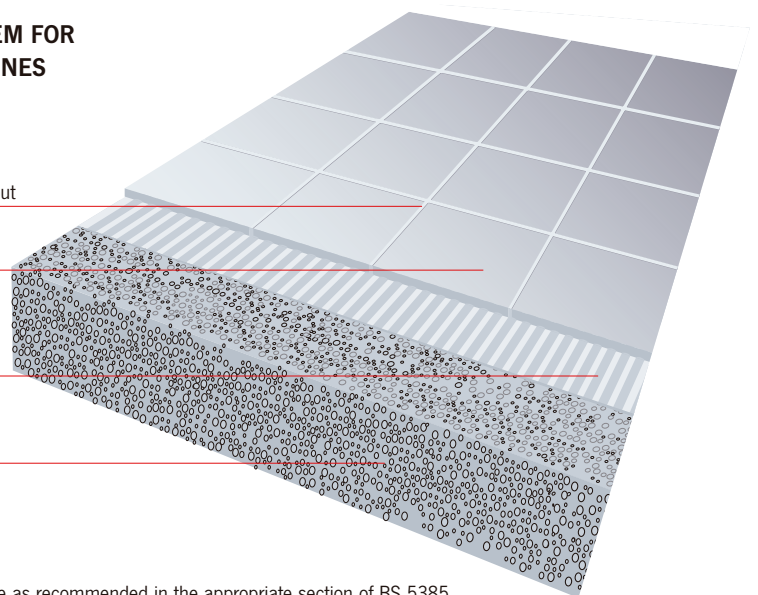
**Uncalibrated natural stones**



**ARDEX S 20**  
Grey rapid hardening and drying natural stone adhesive



**ARDEX A 35**  
Rapid hardening and drying floor screed



### Notes:

- All backgrounds to be dry and sufficiently mature as recommended in the appropriate section of BS 5385
- When there is not a risk of water staining, standard ARDEX tiling adhesives and grouts in the ARDEX and ARDEX-FLEX ranges are suitable for virtually all tiling applications. Full technical data on all ARDEX products is available online at: [www.ardex.co.uk](http://www.ardex.co.uk)
- Consult the ARDEX Natural Stone Fixing Guide for detailed guidance on fixing and grouting natural stones



HIGH PERFORMANCE  
TILING AND FLOORING PRODUCTS